

KIK



KIK is a wall-mounted, circular and non-see-through transfer air device that dampens the transmission of sounds between rooms.

KIK

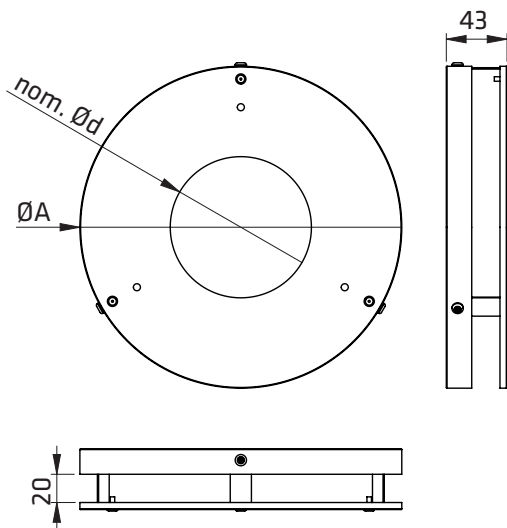
Air is transferred through the **KIK** transfer air device from one room to the other by pressure difference. KIK transfer air device dampens effectively the transmission of sounds from one room to another at the same time. KIK is to be surface mounted on both sides of the wall or partition. Wall or partition thickness has no effect on the installation.



Product code

Transfer air device KIK-100
1
1 = koko 100, 150 tai 200

Dimensions



	nom. Ød	ØA	kg
KIK-100	100	228	1,3
KIK-150	150	292	2,3
KIK-200	200	397	3,3

Airborne sound insulation

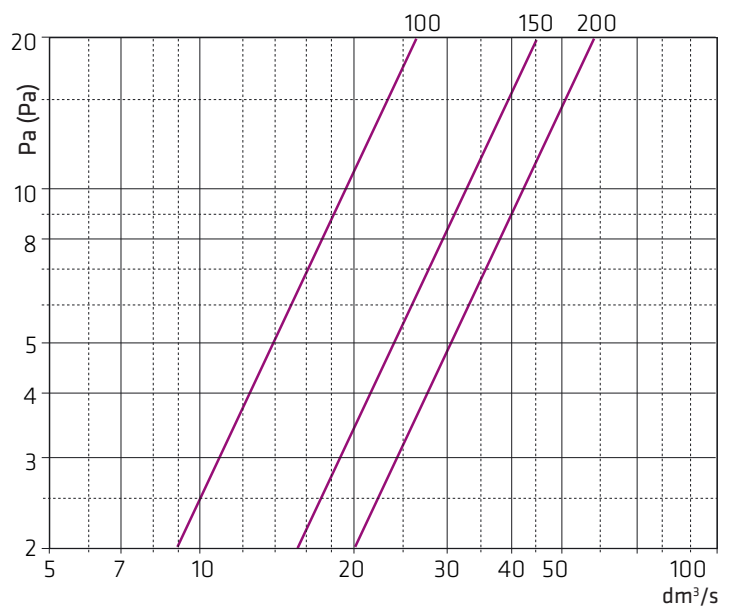
Sound attenuation for air ducts between rooms $D_{n,e,w}$ dB

Tuloilma

Koko	KIK
100	34
125	32
150	32

Dimensioning

The graphs are not intended for adjustment.



The sound level is less than 25 dB(A), when the pressure drop is 20 Pa. Recommended pressure difference is max 15 Pa.