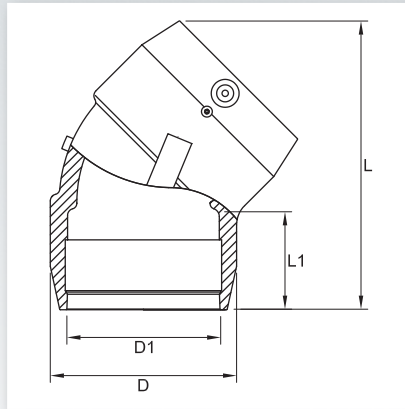


# 45° Elbow



## PE100 | Water PN 16 | Gas 10 Bar

4mm PIN FITTING CODE	4.7mm PIN FITTING CODE	FITTING SIZE (mm)	L (mm)	L1 (mm)	D (mm)	D1 (mm)	FUSION TIME (secs)	COOLING TIME (mins)	WEIGHT (kg)	BOX QUANTITY	BOX SIZE (W X L X D) mm
EBKHFM32X45	EBKHA32X45	32 x 45deg	99	40	44	32	45	5	0.08	100	295 X 485 X 333
EBKHFM40X45	EBKHA40X45	40 x 45deg	108	41.5	53	40	50	5	0.10	70	295 X 485 X 333
EBKHFM50X45	EBKHA50X45	50 x 45deg	124	44.5	63	50	90	5	0.13	50	295 X 485 X 333
EBKHFM63X45	EBKHA63X45	63 x 45deg	137	50	78.5	63	35	5	0.23	30	295 X 485 X 333
EBKHFM75X45	EBKHA75X45	75 x 45deg	153	53	94	75	70	5	0.35	20	295 X 485 X 333
EBKHFM90X45	EBKHA90X45	90 x 45deg	177	60	117	90	110	10	0.55	18	295 X 485 X 424
EBKHFM110X45	EBKHA110X45	110 x 45deg	213	75	137	110	140	10	0.93	10	295 X 485 X 424
EBKHFM125X45	EBKHA125X45	125 x 45deg	240	79	154	125	140	10	1.25	6	295 X 485 X 424
EBKHFM160X45	EBKHA160X45	160 x 45deg	283	89	201	160	240	10	4.50	2	295 X 485 X 333
EBKHFM180X45	EBKHA180X45	180 x 45deg	299	90	222	180	240	20	3.13	2	475 X 295 X 314